



Premium Whirlpool

Operating and Installation Instructions



Ladies and Gentlemen,

Thank you for choosing our product.

Prior to installing the product and the initial start-up, please take some time to read this manual carefully to familiarize yourself with the safety aspects.

Please open the package (wooden crate) using a cordless screw driver (TX20 bit). Please save the crate until the whirlpool has been tested and installed.

If you have any questions or suggestions concerning your new hot tub, feel free to use our customer hotline. Hotline: **020 - 34 99 50 19**

TABLE OF CONTENTS

Safety instructions	4
Care and maintenance	4
Part names	5-7
Specifications and installation	7-8
Operating instructions	9-10
Initial start-up / test run	11
Final assembly	12-15

SAFETY INSTRUCTIONS

1. Children or anyone needing assistance should not use the whirlpool spa without supervision. People with heart conditions, high blood pressure or diabetes or other serious illnesses should exercise increased caution or consult a doctor before using the whirlpool tub.
2. Alcohol consumption or high levels of physical exhaustion may represent a hazard during use.
3. Caution – Danger of slipping when entering and exiting the whirlpool tub. Please note that there may be an increased risk of slipping due to residues of bath additives on the tub bottom.
4. All water connections and electrical work must be performed by a specialist.
5. The water pump is equipped with dry-run protection and can only be placed in operation when the water level sensors are covered with water.
6. The water pump, air pump and ozone generator require air circulation to ensure heat dissipation. If you decide to tile the whirlpool tub, please ensure adequate ventilation.
7. Please do not operate the shower while it is submerged.

CARE AND MAINTENANCE

1. We recommend the use of 2000 grit sandpaper for the removal of superficial scratches. Afterwards, the sanded surface must be polished.
2. For cleaning the hot tub surfaces, only use cleaners suitable for the maintenance of sanitary-grade acrylic.
3. Do not use acidic or alkaline cleaning agents.
4. If the bottom air nozzles, side jets, back jets and the suction fittings are clogged with hair etc., they can be unscrewed and cleaned.

PART NAMES

Depending on the factory configuration and the composition of the optional components, the following parts may deviate from the features:

3-unit fixtures



3-unit fixtures (optional)



Waterfall



Filling via overflow (BUE)



Handheld shower head



Sunken showerhead



Side jets and suction fitting



Flatline side jets



Back massage jets



nano back jets



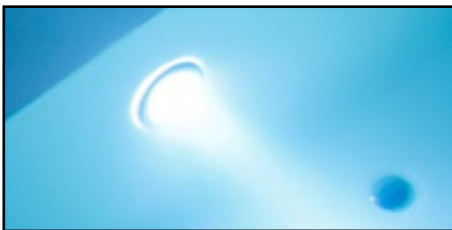
aero jets at the bottom



Venturi (air admixture valve)



3-color light therapy LED-spot



3-color fairy LED effect-lights



SPECIFICATIONS AND INSTALLATION

- 230 V voltage
- 16 A fuse
- 50 Hz frequency
- water supply hose (½ to ¾ inch) (Important: No rigid pipe connection between whirlpool tub and water line – due to risk of breaking!)
- 50 mm drain

Important information for the electrical installation

- **All electrical work must be performed with the power shut off (if applicable, please remove the fuse allocated to the bathroom).**
- **Make sure all electrical contacts with the connecting elements are reliable (insert stripped wires completely into clamps; perform tension test); this is especially important for the ground wire connection.**
- **Do not store extra wire (loops, individual ends of wires stripped too long etc.) in the fuse box.**
- **Check to make sure the entire piece of equipment is properly connected. Faulty connections and terminals may lead to equipment failures or compromise of the safeguards provided.**

Compliance with Protection Class IP 54

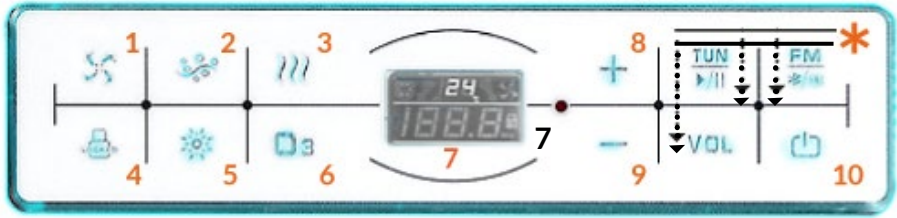
1. The external line enclosures (sheaths) must be inserted completely into the screw mounting connections.
2. Any unused entry ports must be sealed or replaced by dummy plugs made of insulating material.
3. Cable entry openings must be placed downwards or laterally.
4. The housing covers must be properly reattached.
5. Always make sure that electrical equipment is placed, installed and attached in such a way that it cannot fall into the bathtub.
6. Upon completion of the electrical installation, an inspection and testing (functional check) must be performed by a licensed electrician.

7. In addition, the effectiveness of the implemented protective measures, ground and insulation connections, potential equalization, insulation status etc. of the newly installed equipment must be verified and documented.
8. If the tub control is to be used in other (e. g. medical) areas, such as hospitals, outpatient clinics, health spas and rehabilitation facilities, the additional requirements for the installation of such systems must be complied with. (We recommend that you contact us before attempting such an installation.)

Whirlpool tub installation (incl. optional fixture elements)

- Connect the whirlpool tub to the water connections.
 - a) By the version "filling via overflow" the supply connections that fix to the overflow are 3/4"
 - b) By the version "With Taps" one usually uses 1/2" supply pipes.
- Connect the tub drain to your waste connection.
- If applicable, attach the waterfall spout on the bathtub rim (Ø 22 cm opening) and place the gasket between the tub and the waterfall. Then connect the waterfall with the supply line from the switch.
- If applicable, connect the overflow with the supply and drain lines.
- If applicable, connect the handheld shower head attachment with the shower head hose.

OPERATING INSTRUCTIONS



1 water pump

2 air pump

3 heater

4 key lock

5 colored LED-light

6 disinfection by oxygen

7 display

8 plus

9 minus

10 On/Off

* FM/Radio /Bluetooth

These functions are not included in delivery

On/Off and key lock

Press **Key 10** to activate the whirlpool system. This will activate the backlighting of the touch control panel. If this is not followed by another key press, the key lock will automatically turn on after approx. one minute. Press and hold **Key 4** to release/activate the key lock

Dry-run protection system (TLS)

The dry-run protection system is factory-installed on the outside of the tub, e. g. with silicone. Following the final assembly, the dry-run protection system is covered. Please make sure during the initial start-up and test run that the LED turns on. The system comprises a capacity proximity switch (dry-run protection – TLS) with a maximum switching distance of 20 mm (tub wall thickness). To operate the pump, a certain water level is required.

Water pump and massage jets

The water pump controls the back and side jets as well as the suction fitting. Press **Key 1** to turn the water pump on and off. The water pump will not turn on or will automatically turn off (TLS) if the water level is too low.

Venturi (air admixture valve)

If you open the Venturi valve while the water pump is running, the jet system will be supplied with extra air, the water pressure increases and the massage effect is intensified. In most cases, the valve is factory-preset set to the maximum value and open.

Heater and water temperature

Please note that the heater can only be used while the water pump is running. To turn on the heater, press **Key 3**. The preset temperature is **45°C (113°F)** when the heater is turned on. The selectable temperature ranges from 30°C and 45°C (86°F to 122°F). **Note: The recommended maximum bathing temperature for healthy adults is usually 38°C (100°F).** To adjust the temperature, press and hold **Key 3** briefly until the temperature display starts to flash. Now you can adjust the temperature using **Key 8 (up)** and **Key 9 (down)**. When the actual temperature is shown on the display, the adjusted temperature was applied.

Air pump and draining of residual water

The air pump controls the bottom air nozzles. Press **Key 2** to turn the air pump on and off. The air pump generally turns off automatically after about 45 minutes to prevent overheating. Following automatic turnoff, the air pump can be re-activated by pressing **Key 2**.

TIP: Once the water is completely drained from the tub, use **Key 2** to activate the air pump in order to drain the residual water from the bottom air nozzles.

Let the air pump run for a few seconds until no more water exits from the bottom nozzles. Do not leave the hot tub unattended during this process and turn off the air pump when finished.

3-color light therapy LED

Use **Key 5** to turn the 3-color light therapy LED on and off.

The colors change automatically within a fixed interval.

Ozone disinfection (O3)

Just use ozone disinfection while you are taking a bath. Please use ozone disinfection only when the tub is filled with water and the water pump is turned on to allow the ozone to spread in the hose system. Press **Key 6** to turn ozone disinfection on and off.

INITIAL START-UP / TEST RUN

Please take your time and test your whirlpool spa thoroughly!

1. Make sure the space under the whirlpool is clearly visible so any leaks can be detected immediately.
2. Fill the hot tub with water until the water level sensor (TLS) is covered. During this time, check all the lines, jets and nozzles to make sure they are tight.
3. After having confirmed that no water is leaking out, test all of the functions. Press the **Keys 1, 2, 3, 5 and 6** one after the other in order to activate all functions simultaneously. Let the hot tub run **continuously for 30 minutes** to test the heater as well. Do not leave the whirlpool unattended and check the tightness of the lines, jets/nozzles and pumps regularly during this time.
4. Once these tests have been successfully completed, the final assembly can take place.

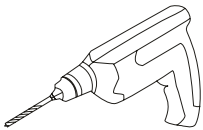
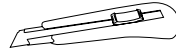
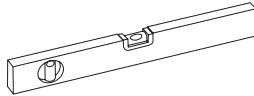
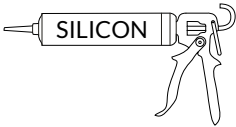
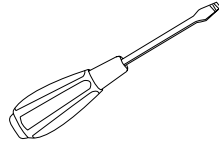
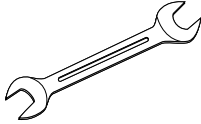
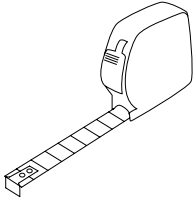
Please do not leave the whirlpool unattended during this time!

The Whirlpool is mostly hand built in Germany using the utmost care and attention. We do of course test and control each pool before it leaves the production facility, however in a small number of cases something may be missed or damaged in transport, if you are testing the whirlpool and discover a leak, please stop the test immediately and contact our customer service department. We will then do everything to solve the problem with as least inconvenience to yourself.

Yours emotion Team!

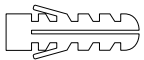
FINAL ASSEMBLY

Required installation tools
(not included)

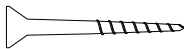


Countersink

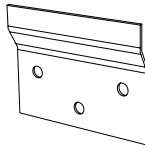
INCLUDED IN THE SHIPMENT



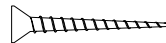
8x



8x



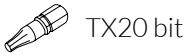
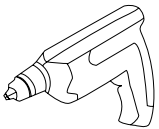
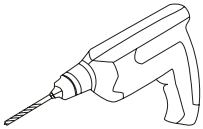
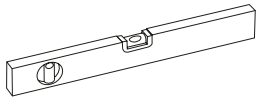
4x



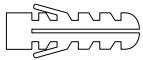
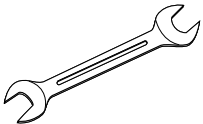
4x



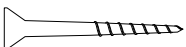
4x



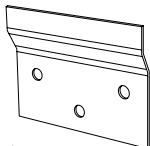
TX20 bit



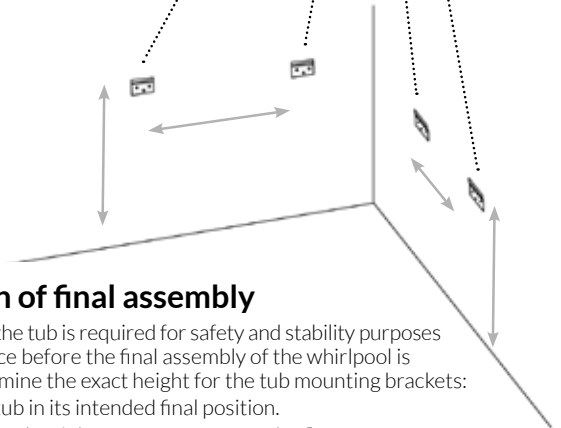
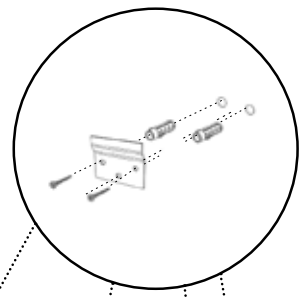
8x



8x



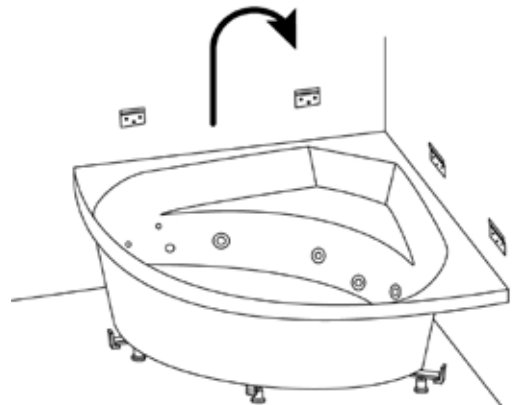
4x

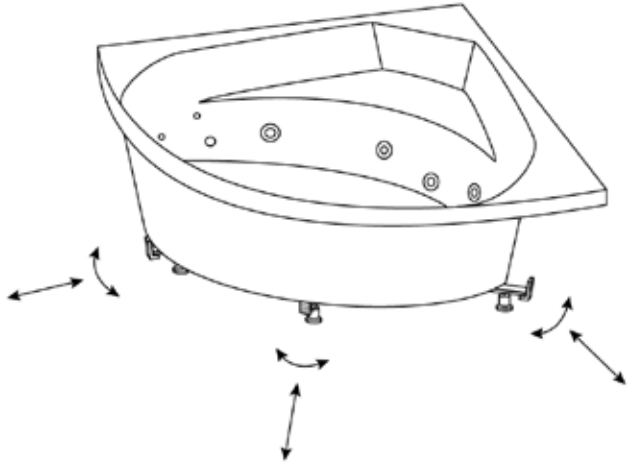
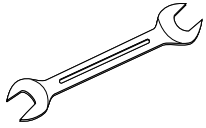


Preparation of final assembly

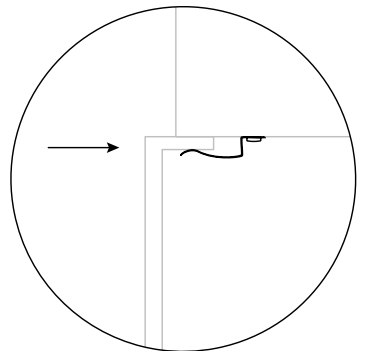
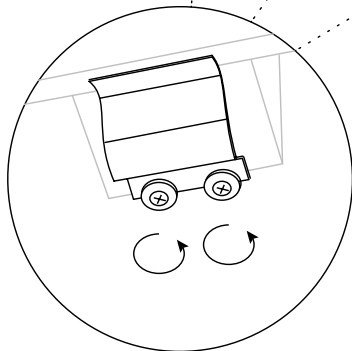
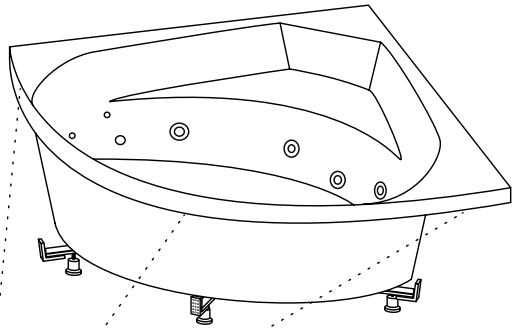
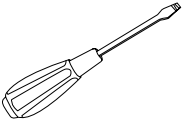
Wall mounting of the tub is required for safety and stability purposes and must take place before the final assembly of the whirlpool is completed. Determine the exact height for the tub mounting brackets:

1. Place the hot tub in its intended final position.
2. Adjust the legs. The siphon must not rest on the floor.
3. Fill the tub with water temporarily.
4. Check the position of the siphon one more time. Sufficient clearance above the floor must be provided.
5. Measure (when the tub filled) the precise height for the wall mounting brackets. **PLEASE NOTE:** If you want to use acrylic paneling, the tub height is dependent on the skirt.
6. Empty the tub again and free up space to attach the wall mounting brackets on the wall at the determined height.
7. Now hook the hot tub onto the wall mount brackets in its final position.

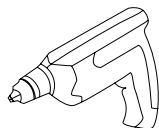
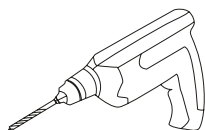
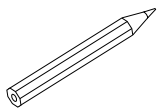




3.0 Align the L-brackets on the tub frame with the skirt.



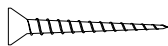
3.1 Adjust the skirt holders on the blocks under the tub rim.



TX20 bit



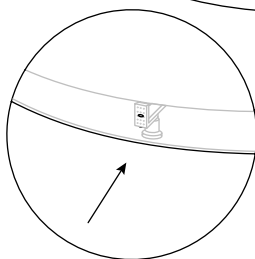
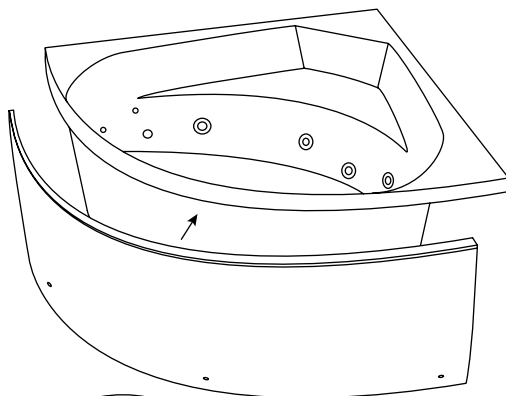
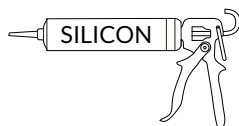
Countersink



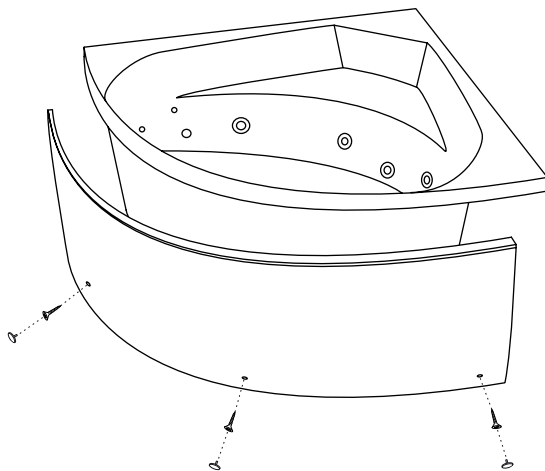
4x



4x



- 3.2 Loosen the L bracket a little, extend it and adjust it in the correct position; then screw it in place. Attach the skirt provisionally to the tub so you can mark the drill points. Remove the skirt again. To prevent scratches and tears, you should drill the holes in the skirt with a wood drill and prepare these holes with a countersink for the screw fastening.



- 3.3 Now clamp the skirt again onto the skirt holders under the tub rim. Then screw the skirt tight using the prepared L brackets. Cover the screws with the white screw caps provided.

- 4.0 Finally, you can use silicone caulking to seal the tub to the wall.

The skirting is not supposed to be flush with the edge of the whirlpool

Please note that the edge of the whirlpool rests in the middle of the skirting, so that there is a small "step" and one can see half of the top edge of the skirting. please see picture below.



emotion